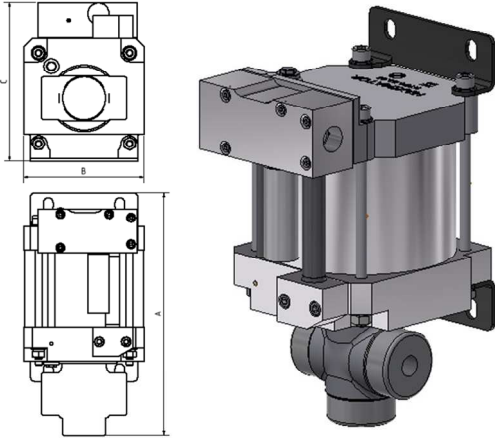


Technical Data Sheet

S40 SS

» Water service



S40-SS
single acting, single air drive head

Technical Data:

Air drive pressure: 1 - 10 bar / 14.5 - 145 psi

Calculated working pressure: 390 bar / 5650 psi

Pressure ratio: 1:39

Displacement volume/double stroke: 12.6 cm³ / 0.76 cu.inch

Connections:

Inlet: 3/8" BSP

Outlet: 3/8" BSP

Air drive: 1/2" BSP

Maximum operating temperature: 60°C

Net weight: 7 kg

Pressure and flow performances, please see enclosed graph.

Wetted materials of construction:

Top cap: 3.4311.01

Air cylinder: 3.3206

Seal package: UHMWPE, FKM

Pump Body: 1.4313

HP Piston: 1.4112

Approximate Dimensions:

A: 273 mm

B: 135 mm

C: 178 mm

Available Accessories:

Air control units with filter pressure regulator, control pressure gauge and shut off valve: S40-SS with C1.5

To protect the pump against excessive outlet pressures or to limit the outlet pressure, a safety valve S40-SS with C1.5/SV-air (The required outlet pressure has to be indicated.) can be fitted to the air control unit in the air drive line.

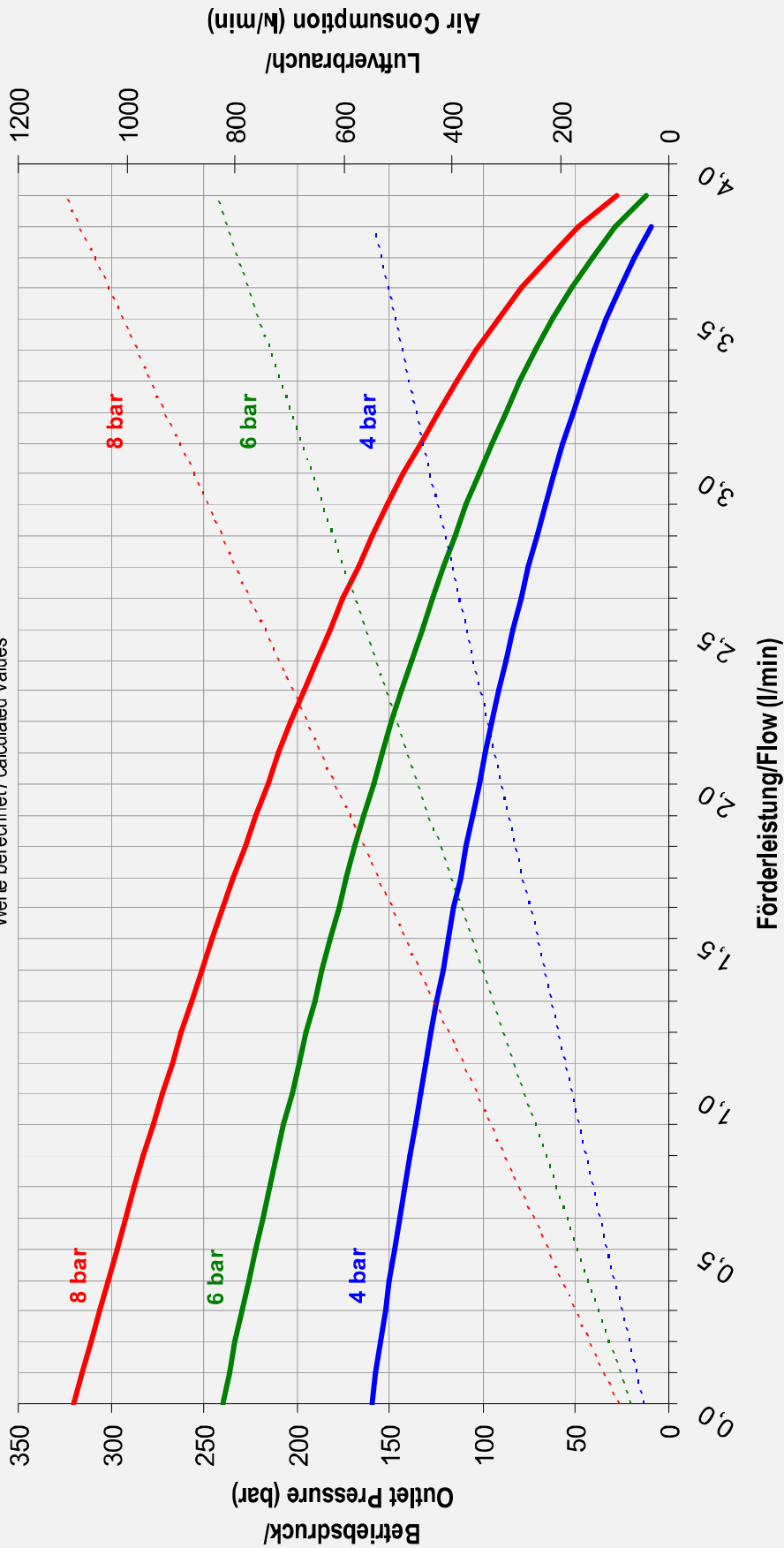
Please consult factory for more information. All technical and dimensional information subject to change. All General Terms and Conditions of sale, including limitations of our liability, apply to all products and services sold.



Leistungsdiagramm/Performance Graph S 40 SS

Prüfflüssigkeit/Test Liquid: Wasser-Öl-Emulsion/Water Oil Emulsion ca. 1 - 10 cst

Werte berechnet/ calculated values



- Betriebsdruck bei/Outlet Pressure at 4 bar
- Betriebsdruck bei/Outlet Pressure at 8 bar
- Betriebsdruck bei/Outlet Pressure at 6 bar
- ⋯ Luftverbrauch bei/Air consumption at 4 bar
- ⋯ Luftverbrauch bei/Air consumption at 8 bar
- ⋯ Luftverbrauch bei/Air consumption at 6 bar